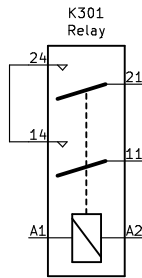
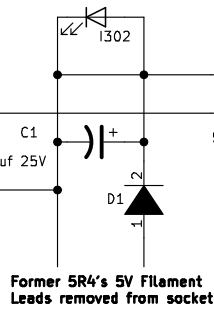


Collins 32V-1 Modifications

Relay showing only HV key contact. See separate schematic for coil wiring changes.

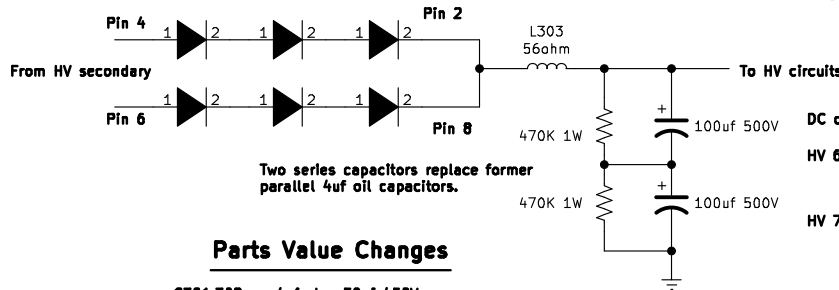


#47 Replacement HV LED indicator



This modification eliminates line voltage relay keying of the HV supply. Low current DC is switched by the relay and the interlock switch. HV front panel indicator replaced with LED

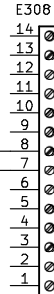
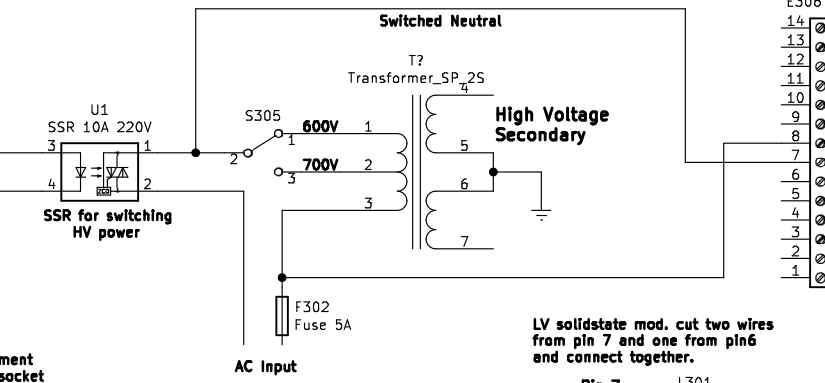
Diodes mounted in broken 5R4 tube base. Remove 5V filament leads and wire pins 2 and 8 together.



Two series capacitors replace former parallel 4uf oil capacitors.

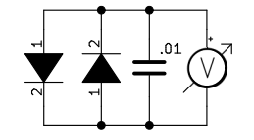
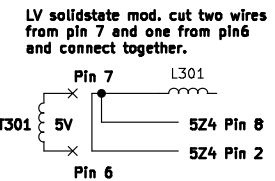
Parts Value Changes

- C301,302 - 4uf to 50uf 450V
- C303,304 - 4uf to 100uf 500V
- C305 - .25mf to two series .12
- R202 - 1M to 10M
- C202 - .01 to .05 tubular 630V
- C203 - 2uf to 47uf 450V
- C205 - .01 to .05 tubular 630V
- C204 - 2uf to 47uf 450V
- C211 - .5uf to 47uf 450V
- C206 - .5uf to 10uf 35V
- C207 - 2uf to 47uf 450V - neg. Bias - note polarity
- C210 - .5uf to .5uf tubular 630V
- Added numerous .01 bypasses on filaments and B+
- Added two .047 safety capacitors AC Input
- Added diode, 2200uf 16v electrolytic, and 1 ohm resistor for DC filament.

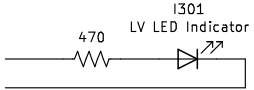


Pins 9,10 Relay Closure on TX
Pins 7,8 Switched 120 VAC for Antenna Relay, etc.

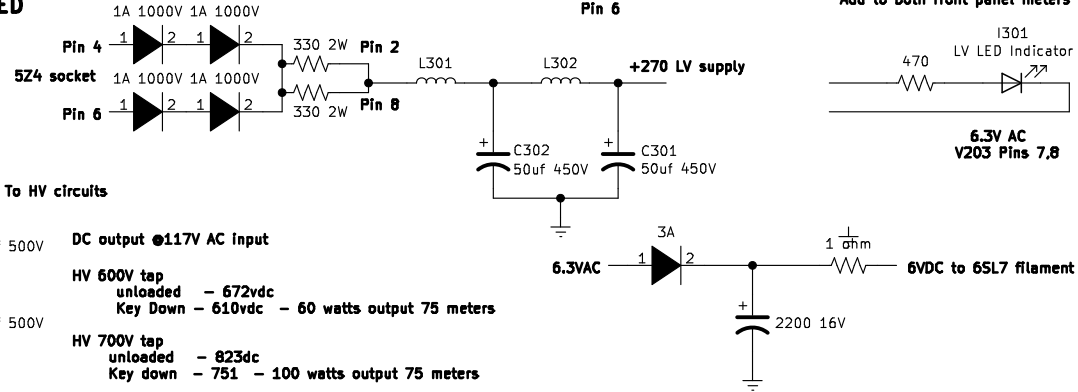
Rear Panel Terminal Strip Changes
Remove Original AC Neutral Wire From Pin 7 and Tie Off.



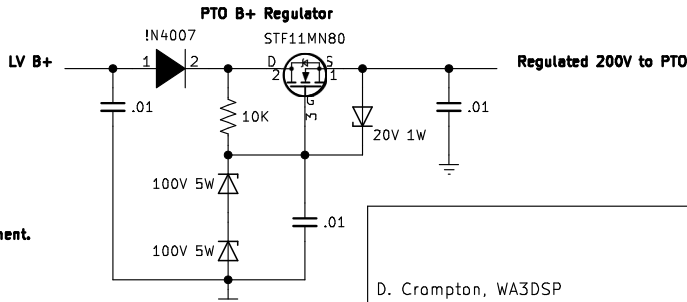
Add to both front panel meters



6.3V AC V203 Pins 7,8



DC output @117V AC Input
HV 600V tap unloaded - 672vdc
Key Down - 610vdc - 60 watts output 75 meters
HV 700V tap unloaded - 823dc
Key down - 751 - 100 watts output 75 meters



Regulated 200V to PTO

Note that changes show portions of the original schematic and references. Please refer to it and the photos to better understand the changes.

D. Crompton, WA3DSP	
Sheet: /	
File: Collins-32V1-updates.sch	
Title: Collins 32V-1 Updates	
Size: USLetter	Date:
KiCad E.D.A. kicad 5.1.5+dfsg1-2build2	Rev:
	Id: 1/1